

## OWNER GUIDE

# Intimate

(GC No. 32-032-54)

## OPEN DECORATIVE GAS FIRE



(Manufacturer ref 739)

**THIS APPLIANCE IS FOR USE WITH NATURAL GAS (G20)  
WHEN CONVERTED USING CONVERSION KIT NO. 0595211 THIS  
APPLIANCE IS FOR USE WITH PROPANE GAS (G31)  
THIS APPLIANCE IS SUITABLE ONLY FOR INSTALLATION IN THE UNITED  
KINGDOM (GB) AND THE REPUBLIC OF IRELAND (IE).**

This guide is intended to help you care for your gas fire. Please read thoroughly before using and keep for future reference.

Manufactured exclusively for British Gas & Scottish Gas by Valor Heating,  
Wood Lane, Erdington, Birmingham B24 9QP

**For Service Phone 0845 950 0400**

**INSTALLER: Please leave this guide with the owner**

# OWNER GUIDE

## Safety First.

This gas fire is CE Approved and designed to meet the appropriate British Standards and Safety Marks.



## Quality and Excellence at the heart of every fire.

This fire has been manufactured to the highest standards of quality and excellence and was manufactured under a BS EN ISO 9001 quality system accepted by the British Standards Institute.



## The Highest Standards

The manufacturer is a member of the Society of British Gas Industries which works to ensure high standards of safety, quality and performance.



## Careful Installation

The manufacturer is a CORGI registered company. All our gas fires must be installed by a competent CORGI Registered Installer in accordance with our Installer Guide and should not be fitted directly on to a carpet or floor of combustible material.

Valor Heating, Erdington, Birmingham B24 9QP

[www.valor.co.uk](http://www.valor.co.uk)

Because our policy is one of constant development and improvement, details may vary slightly from those given in this publication

# OWNER GUIDE

## LIST OF CONTENTS

<u>Section</u>	<u>Page</u>
<b>SAFETY</b>	<b>4</b>
<b>APPLIANCE DIMENSIONS</b>	<b>6</b>
<b>GAS CONSUMPTION</b>	<b>6</b>
<b>OPERATING THE FIRE</b>	<b>7</b>
The Oxysafe flame sensing & flue blockage safety system.	7
To light the fire	7
Lighting with a taper	8
<b>CLEANING</b>	<b>9</b>
Metal parts	9
Coals	9
Burner	9
<b>FUEL BED REFITTING</b>	<b>10</b>
<b>FITTING THE DECORATIVE FIREFRONT</b>	<b>15</b>
<b>MAINTENANCE</b>	<b>16</b>
Regular maintenance	16
Servicing	16

---

This gas fire is designed to meet the most stringent quality, performance and safety requirements to provide you with many years' trouble-free service.

This guide aims to improve your understanding and appreciation of your gas fire by providing simple and informative instructions to ensure that you benefit from the excellent performance and features it has to offer.

# OWNER GUIDE

## SAFETY

### IF YOU SMELL GAS

**DON'T SMOKE**

**EXTINGUISH ALL NAKED FLAMES**

**DON'T TURN ELECTRICAL SWITCHES ON OR OFF**

**TURN OFF THE GAS SUPPLY AT THE METER**

**OPEN DOORS AND WINDOWS TO GET RID OF THE GAS**

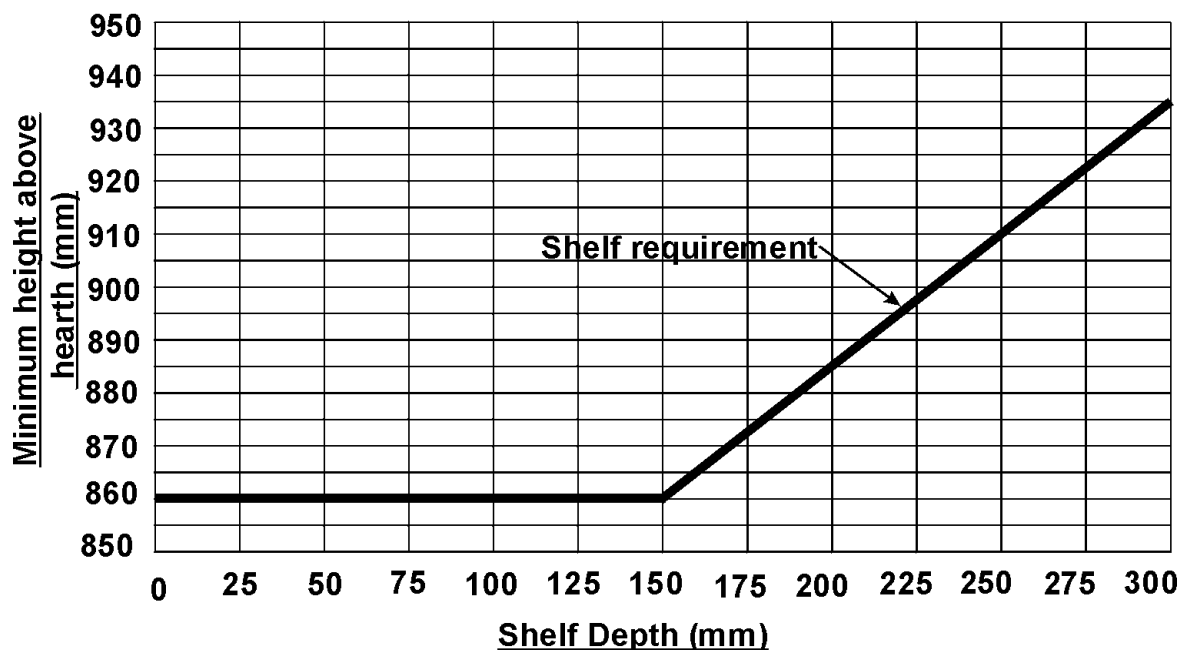
**IMMEDIATELY CALL THE GAS EMERGENCY SERVICE - SEE YOUR LOCAL TELEPHONE DIRECTORY**

**Do** have the fire installed by a competent person. In the United Kingdom, installation must be in accordance with the latest edition of the Gas Safety (installation & use) Regulations. In the Republic of Ireland, installation must be in accordance with all national and local regulations in force.

**Do** have the chimney swept prior to installation if it was previously used for solid fuel.

**Do** have the fire installed in accordance with the installation instructions.

**Do** provide a minimum clearance as shown in graph 1, above the top surface of the fireplace to the underside of any shelf made from wood or other combustible material



Graph 1. Combustible shelf clearances

# OWNER GUIDE

**Do** provide a suitable guard that complies with BS 8423 for the protection of young children, the elderly and the infirm. Such a guard is also recommended for the protection of pet animals. (Although this fire conforms to all the applicable standards, it is a heating appliance and certain parts of its surface will become hot.).

**Do** wait three minutes before attempting to relight if the fire is switched off or the flames are extinguished for any reason. (Your fire is fitted with a safety device that will automatically shut off the gas supply to the fire if, for any reason, the flames go out.).

**Do** get advice about the suitability of any wall covering near your fire. Soft wall coverings (e.g. embossed vinyl, etc.) which have a raised pattern are easily affected by heat. They may, therefore, scorch or become discoloured when close to a heating appliance. Please bear this in mind whenever you are considering redecorating.

**Do** provide a minimum side clearance as detailed in figure 1. Please bear this in mind if ever you are considering altering the room.

**Don't** hang clothing, towels or any other fabrics over the front of the fire.

**Don't** add any extra coals above the number stated in this guide. This could cause a safety hazard.

**Don't** put paper or any other material on the fire.

**Don't** place any combustible material (rugs, carpet, plastic tiles, etc.) on the hearth.

**Don't** attempt to clean or service the fire until it has been switched off and allowed to cool completely.

# OWNER GUIDE

## APPLIANCE DIMENSIONS

Combustible projections up to 75mm forward of the fixing plane of the fire to be a minimum of 125mm from the fireplace opening. Projections above 75mm forward of the fixing plane of the fire to be a minimum of 178mm from the fireplace opening. Non-combustible projections to be 75mm from the fireplace opening.

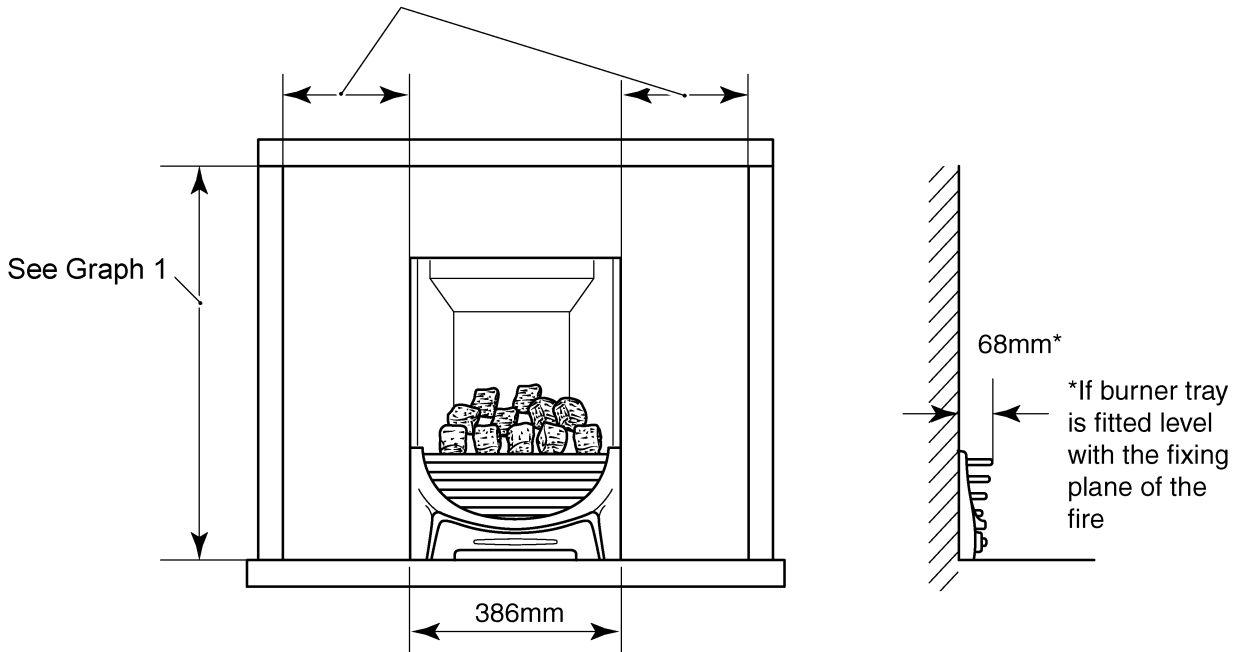


Figure 1. Appliance dimensions

## GAS CONSUMPTION

### Model 739

Has a maximum natural gas input of 6.85kW (Gross)

Has a minimum natural gas input of 2.3kW (Gross)

### Model 739 when converted using kit number 0595211

Has a maximum propane gas input of 6.7kW (Gross)

Has a minimum propane gas input of 4.0kW (Gross)

# OWNER GUIDE

## OPERATING THE FIRE

### *PLEASE NOTE*

When operating your fire for the first time, some vapours may be given off which may cause a slight odour and could possibly set off any smoke alarms in the immediate vicinity. These vapours are quite normal with new appliances. They are totally harmless and will disappear after a few hours use.

### **The Oxysafe flame sensing & flue blockage safety system.**

For your safety, this appliance is fitted with a flue blockage safety device that will shut down the appliance in the event of abnormal flue conditions. ***This device is NOT a substitute for an independently mounted Carbon Monoxide detector.***

The device will also automatically shut off the gas supply to the fire if the pilot flame goes out due to lack of oxygen or for any other reason.

***If this device starts to repeatedly shut off the gas, get expert advice.***

This device incorporates a probe that senses that the heat from the pilot flame is correct. If this probe is cool, the device will prevent any gas flow unless the control knob is held in at the ignition position.

If, for any reason, the flames go out when the fire is hot or if the fire is turned off when hot, always ***wait at least three minutes before attempting to relight.***

### **To light the fire**

Depress the control knob and rotate it anticlockwise to the pilot ignition position. A 'click' will be heard as the integral piezo operates. A flame should appear at the pilot. Keep the control knob depressed and hold the pilot ignition position for five seconds. When the control knob is released the pilot flame should remain lit. If a flame does not appear at the pilot then turn the control knob clockwise to the 'OFF' position and repeat the above.

When the pilot burner is operating properly, gradually turn the control knob anti-clockwise to 'HIGH' position. (Depress the knob slightly to get past the pilot ignition position). The main burner should now light.

Depress the control knob slightly to release from the 'HIGH' position and turn back (clockwise) to 'LOW'. While turning, the burner flames should gradually become lower but remain alight. Depress the control knob slightly to release from the 'LOW' position and turn back (clockwise) to the Pilot ignition position. The main burner should extinguish but the pilot should remain alight. Depress the control knob slightly and turn back (clockwise) to turn OFF. This will extinguish the pilot.

# OWNER GUIDE

While cooling, the coals may make some crackling noises. This is quite normal.

- If the flames go out while setting the control, repeat the full lighting procedure.
- If the flames repeatedly go out have the fire serviced.
- Please note. When first turned on the flames will appear predominantly blue. The coals will take time to warm up. Although some glow will be seen after approximately ten minutes, the full visual effect will only be apparent after a somewhat longer time.
- The appliance will operate to its maximum potential if the flue is primed during the first 20 – 30 minutes of operation. To do this, simply turn the control knob to its 'HIGH' setting. This will also burn off any carbon deposits that may have formed during previous operations.
- If operating the appliance for long periods it is beneficial occasionally to change the settings. This will also help to remove any carbon deposits that may form during operation.

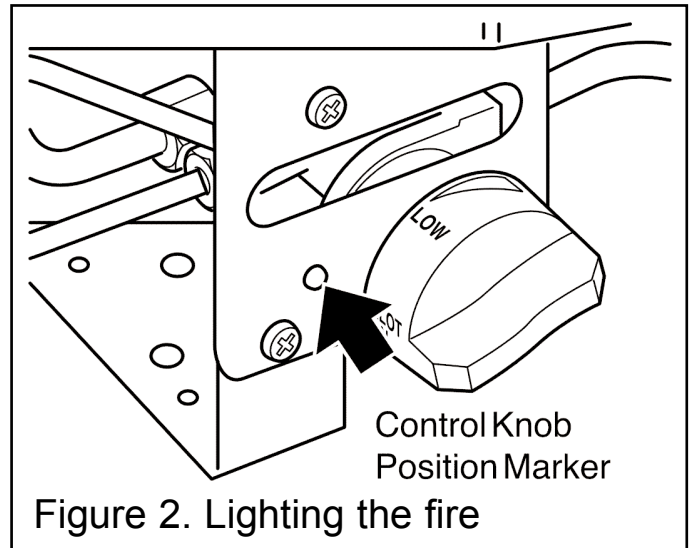


Figure 2. Lighting the fire

## Lighting with a taper

See figure 3.

In the unlikely event of failure of the ignition spark, the pilot can be lit by a taper or long spill. Insert the taper or spill between the second and third left hand ceramic fuel effect pieces on the first row. Operate the control knob as described in the section headed 'To light the fire'.

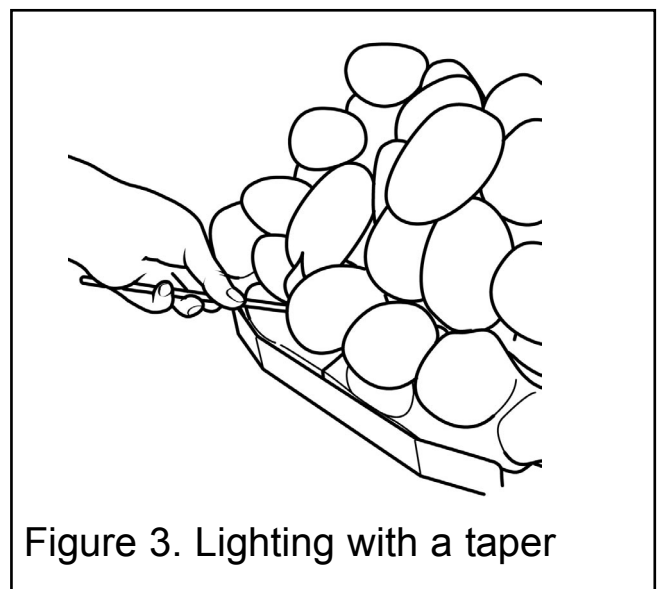


Figure 3. Lighting with a taper



# OWNER GUIDE

## CLEANING

Turn the fire off and allow it to cool completely before attempting any cleaning. Note that the fire will retain heat for some time after it has been turned off.

*If large pieces of debris are found anywhere in the fireplace, have the chimney inspected before further use.*

### Metal parts

Clean the metal parts with a slightly damp cloth and then dry. ***Do not use abrasive cleaners, they could scratch the surface.***

### Ceramic Coals

**This product uses fuel effect pieces containing Refractory Ceramic Fibres (RCF), which are man-made vitreous silicate fibres. Excessive exposure to this material may cause irritation to eyes, skin and respiratory tract.**

**Consequently, it is important to take care when handling these articles to ensure that the release of dust is kept to a minimum.**

- Light coatings of soot will usually be burnt off during the normal operation of the fire.
- Should any soot accumulation become excessive, the fuel effect pieces should be removed from the fire for cleaning.
- Cleaning should be carried out in a well-ventilated area or in the open air by gently brushing with the pieces held away from your face so that you avoid inhaling the dust.
- We do not recommend the use of a normal domestic vacuum cleaner that may blow dust back into the air.
- We suggest that you remove the coals in the reverse order to that shown in the fuel bed refitting instructions.

### Burner

Remove any deposits of soot or other foreign matter from the the burner with a dry soft brush. Be careful not to brush any particles into the open slots. Remove any particles from the slots with a vacuum cleaner fitted with a soft brush attachment. **Do not poke wire, etc. into the slots in the burner.**

# OWNER GUIDE

## FUEL BED REFITTING

If the fuel bed components are dislodged or removed, they must be refitted as follows:

***Only the fuel bed parts supplied with this appliance or authorised replacements must be used. Never add extra coals above the number stated in these instructions.***

1. Place the ceramic base coal in the burner compartment. The bottom rear face of the coal should rest **against** the angled ledge at the back of the burner tray. ***The coal does not rest on top of the angled ledge.*** The bottom front recess of the coal base should locate against the tags at the front of the ceramic support. (See figure 4).

2. Place the left-hand ceramic front coal in position in front of the base coal (See figure 5).

3. Place the right hand ceramic front coal in position in front of the base coal. This should overlap the left-hand coal. Push the two sides together to minimise the gap. (See figure 5).

4. Install the 12 loose coals as follows. The underside of each coal is marked with a letter 'A' to 'L' and an arrow.

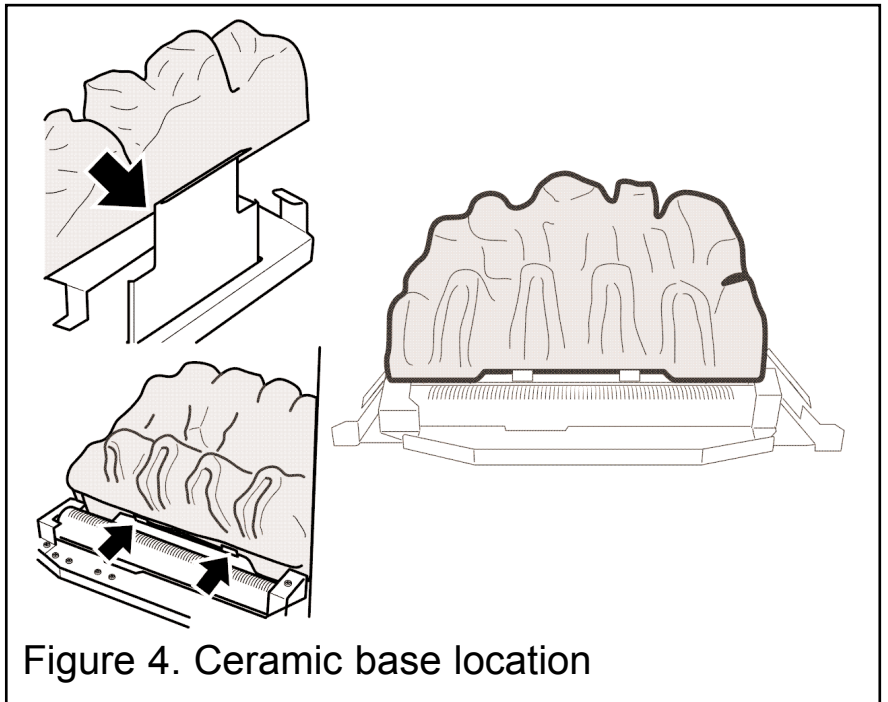


Figure 4. Ceramic base location

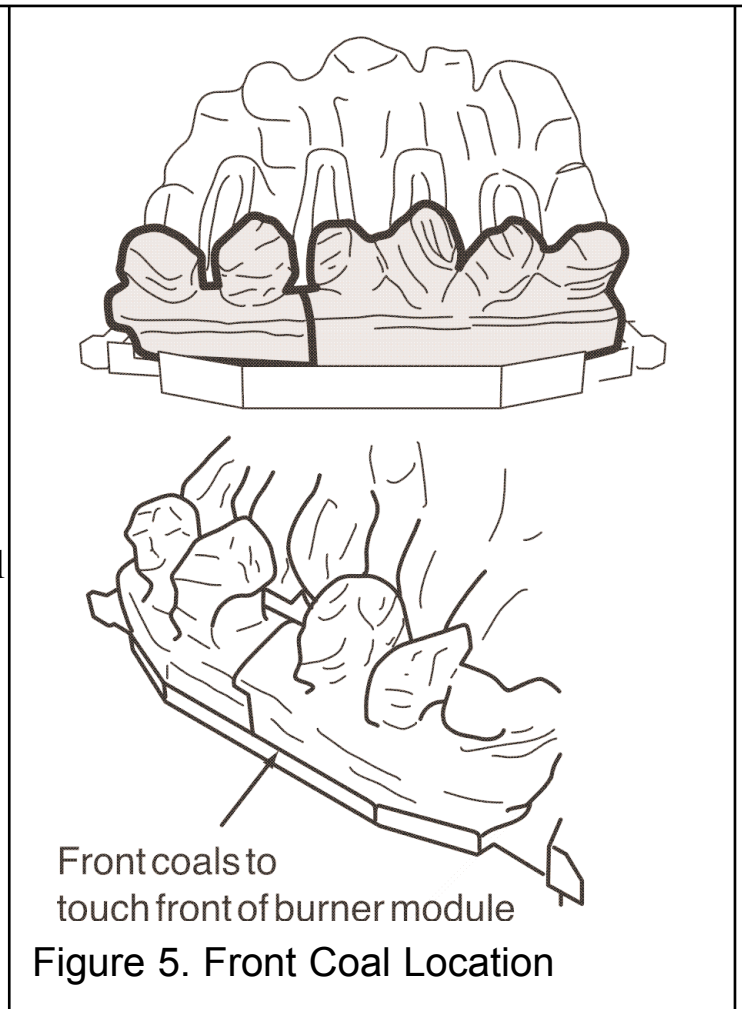


Figure 5. Front Coal Location

# OWNER GUIDE

5. The coals should be positioned so that the arrows always point towards the back of the firebox. When located into position the stem of each arrow should be at 90° to the rear of the fireplace opening (See figure 6).

6. Hold coal 'A' upright with the arrow pointing to the top. Locate coal 'A' as shown in figure 6.

7. Locate coals 'B' to 'E' so that they are firmly seated in the valleys in the coal base and front coal.

8. Hold coal 'B' upright with the arrow pointing to the top. Locate coal 'B' as shown in figure 7.

9. Hold coal 'C' upright with the arrow pointing to the top. Locate coal 'C' as shown in figure 8.

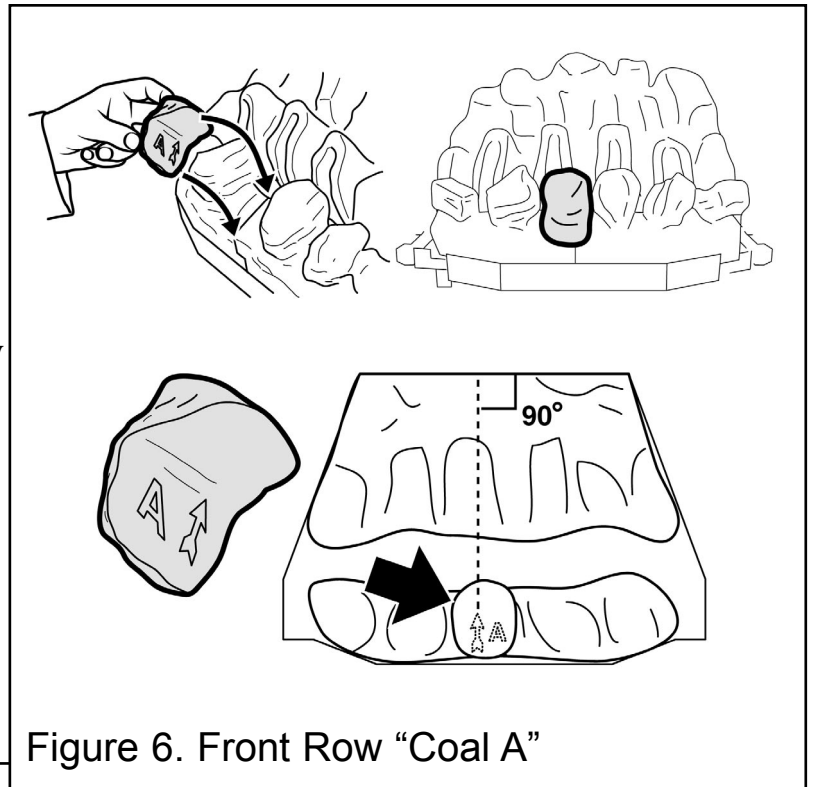


Figure 6. Front Row "Coal A"

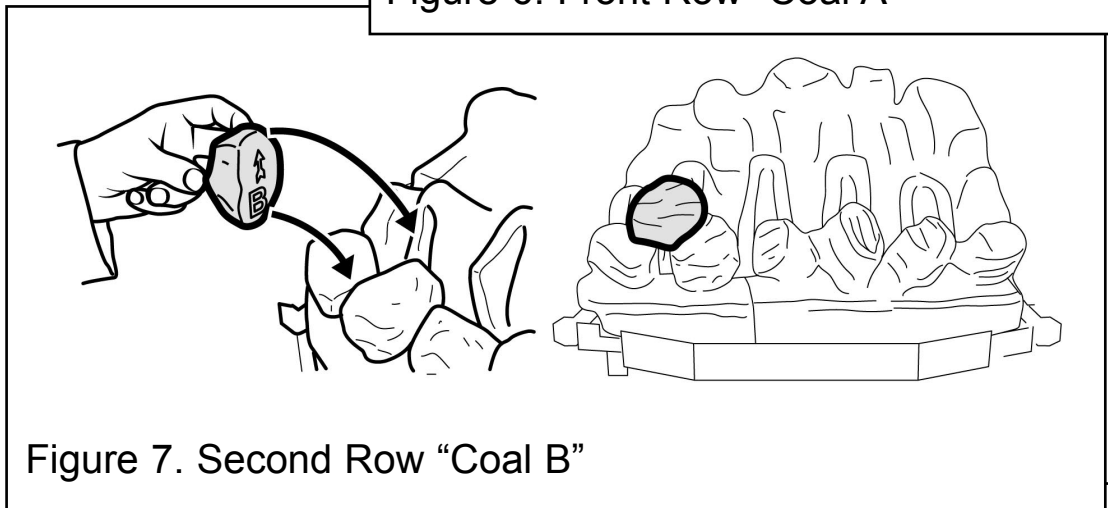


Figure 7. Second Row "Coal B"

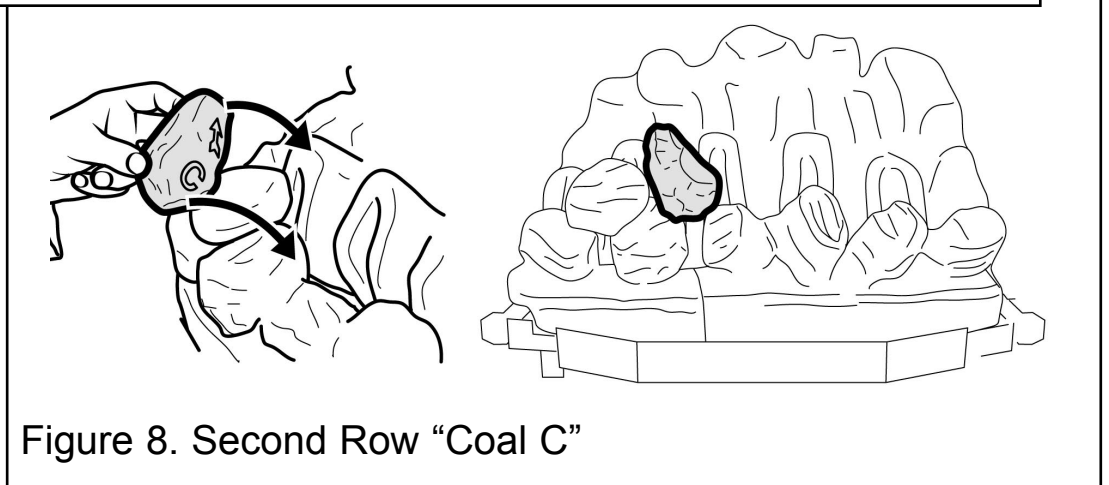


Figure 8. Second Row "Coal C"

# OWNER GUIDE

**10.** Hold coal 'D' upright with the arrow pointing to the top. Locate coal 'D' as shown in figure 9.



Figure 9. Second Row "Coal D"

**11.** Hold coal 'E' upright with the arrow pointing to the top. Locate coal 'E' as shown in figure 10.

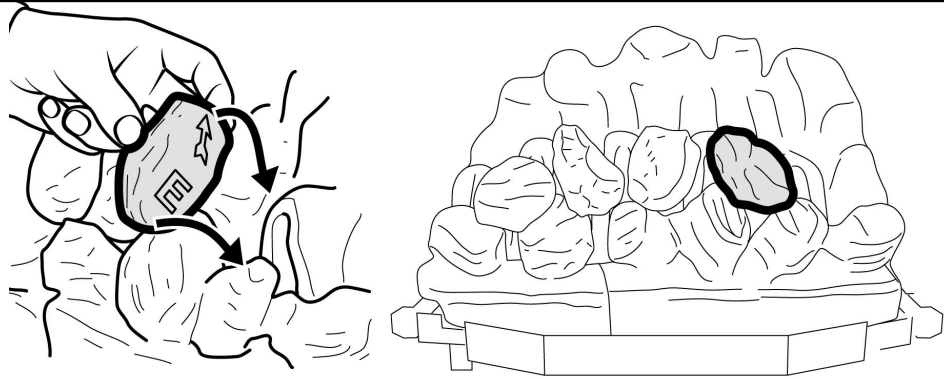


Figure 10. Second Row "Coal E"

**12.** Hold coal 'F' upright with the arrow pointing to the top. Locate coal 'F' as shown in figure 11.

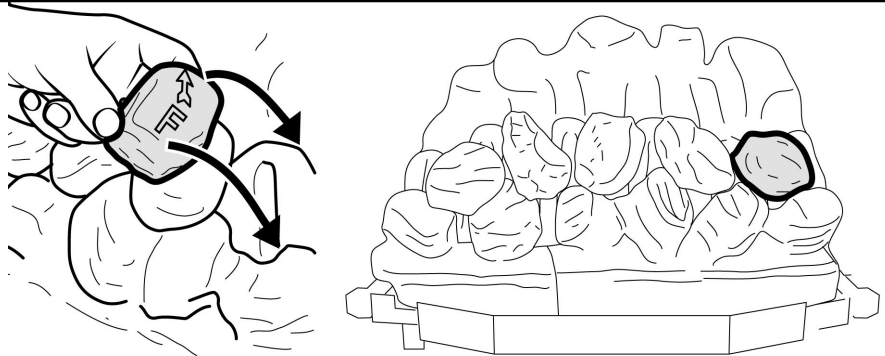


Figure 11. Second Row "Coal F"

**13.** This will complete the second row of loose coals.

# OWNER GUIDE

14. Locate coals 'G' to 'K' so that they are firmly seated in the valleys in the coal base.

15. Hold coal 'G' upright with the arrow pointing to the top. Locate coal 'G' as shown in figure 12.

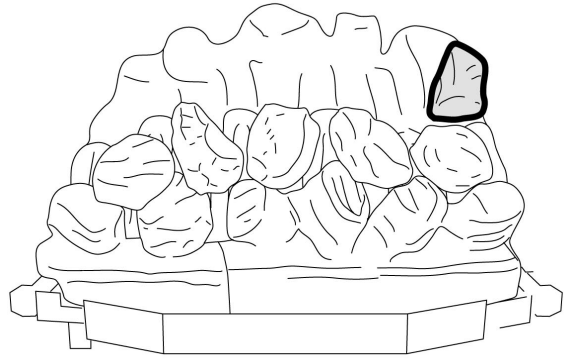
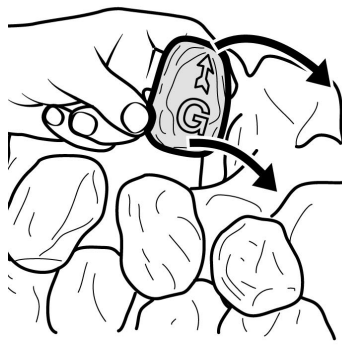


Figure 12. Third Row "Coal G"

16. Hold coal 'H' upright with the arrow pointing to the top. Locate coal 'H' as shown in figure 13

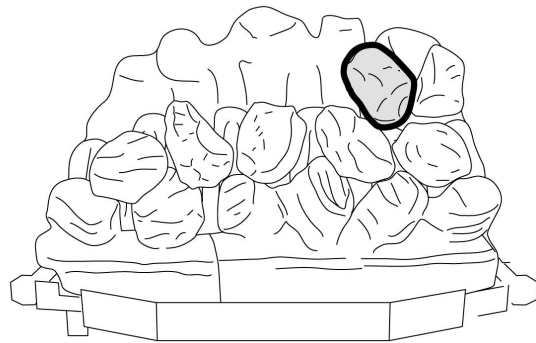
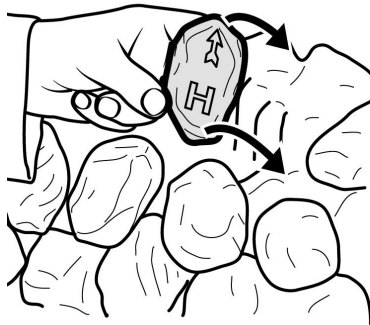


Figure 13. Third Row "Coal H"

17. Hold coal 'I' upright with the arrow pointing to the top. Locate coal 'I' as shown in figure 14.

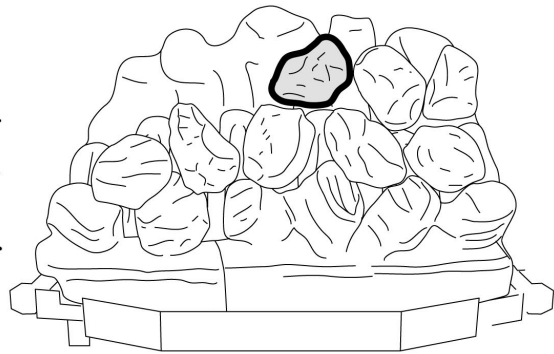
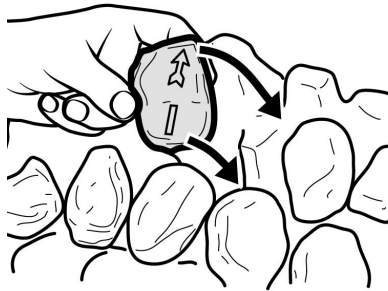


Figure 14. Third Row "Coal I"

# OWNER GUIDE

18. Hold coal 'J' upright with the arrow pointing to the top. Locate coal 'J' as shown in figure 15.

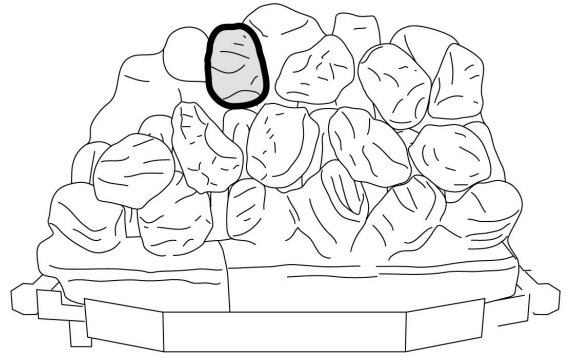
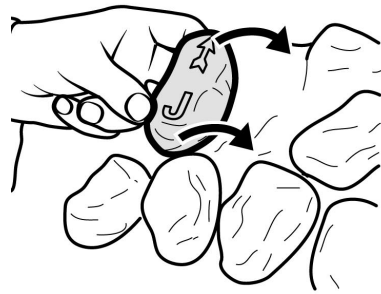


Figure 15. Third Row "Coal J"

19. Hold coal 'K' upright with the arrow pointing to the top. Locate coal 'K' as shown in figure 16

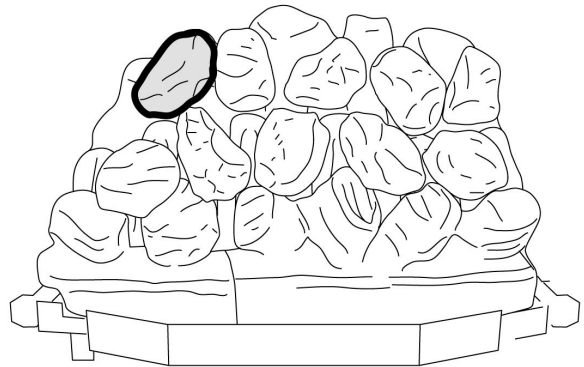
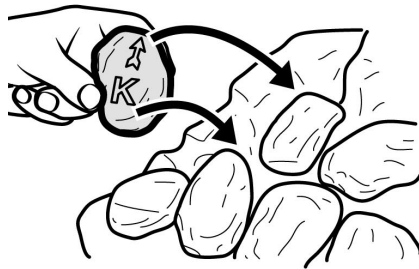


Figure 16. Third Row "Coal K"

20. Hold coal 'L' upright with the arrow pointing to the top. Locate coal 'L' as shown in figure 17.

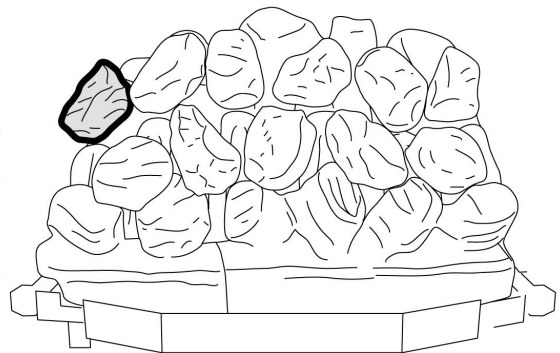
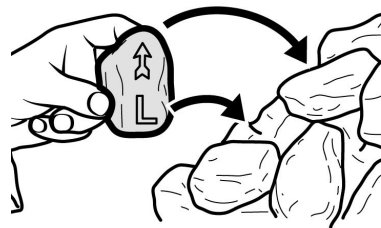


Figure 17. Third Row "Coal L"

# OWNER GUIDE

## FITTING THE DECORATIVE FIREFRONT

1. To refit the decorative firefront locate the two screw heads through the keyhole slots in the brackets located on top of the burner. If the screw heads do not project enough or project too far, the screws can be adjusted. Lower the casting so that it rests on the hearth. See figure 18.

2. Fit the lower firefront casting below the front casting locating it as shown in figure 19.

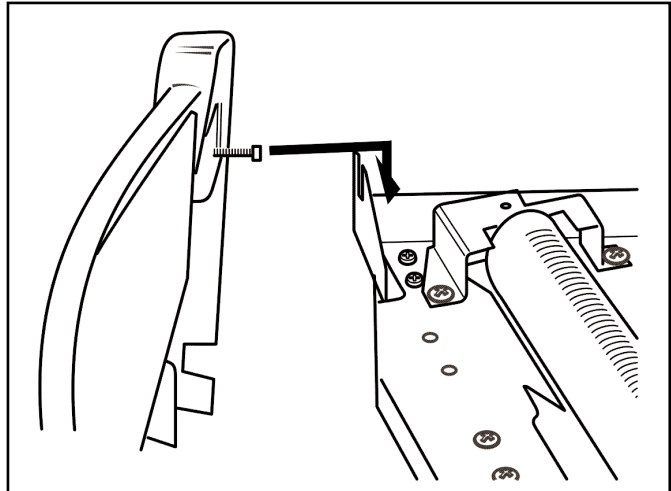


Figure 18. Firefront casting location

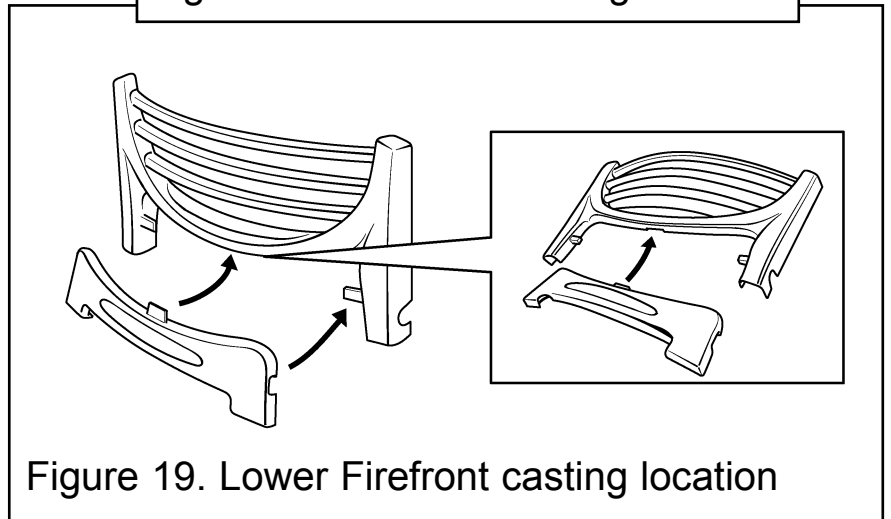


Figure 19. Lower Firefront casting location

# OWNER GUIDE

## MAINTENANCE

### Regular maintenance

In order to achieve and maintain high levels of personal safety and performance efficiency, it is essential that the opening at the back of the fire and the flue are kept clear of any form of obstruction. It is possible that deposits of mortar or soot could fall and accumulate causing the flue to be blocked or restricted and so preventing proper clearance of dangerous exhaust fumes.

In the United Kingdom it is the law that a landlord must have any gas appliance, flue and pipework which is situated in a tenant's premises checked for safety at least every twelve months by a competent person (In the U.K, a CORGI registered installer).

We recommend that all gas appliances and their flues, wherever situated, are checked annually.

### Servicing

- If you require your fire to be serviced, please contact British Gas or Scottish Gas. **TELEPHONE 0845 950 0400** and please quote the following details which can be found on a 'swing' plate located below the burner behind the bottom hearth casting

**a) Model and G.C. number.**

**b) Serial Number (To be found on a 'swing' plate located below the burner and behind the bottom front cover).**

- If you wish to replace any of the owner replaceable parts listed below please quote the part number shown below.

<u>Description</u>	<u>Part No.</u>
Base Coal	5108040
Front Coal Set	5108553
Pack of 12 Loose Coals	0583319

When fitting replacement parts, follow the instructions contained in this guide. It is important that approved parts are used for maximum safety.